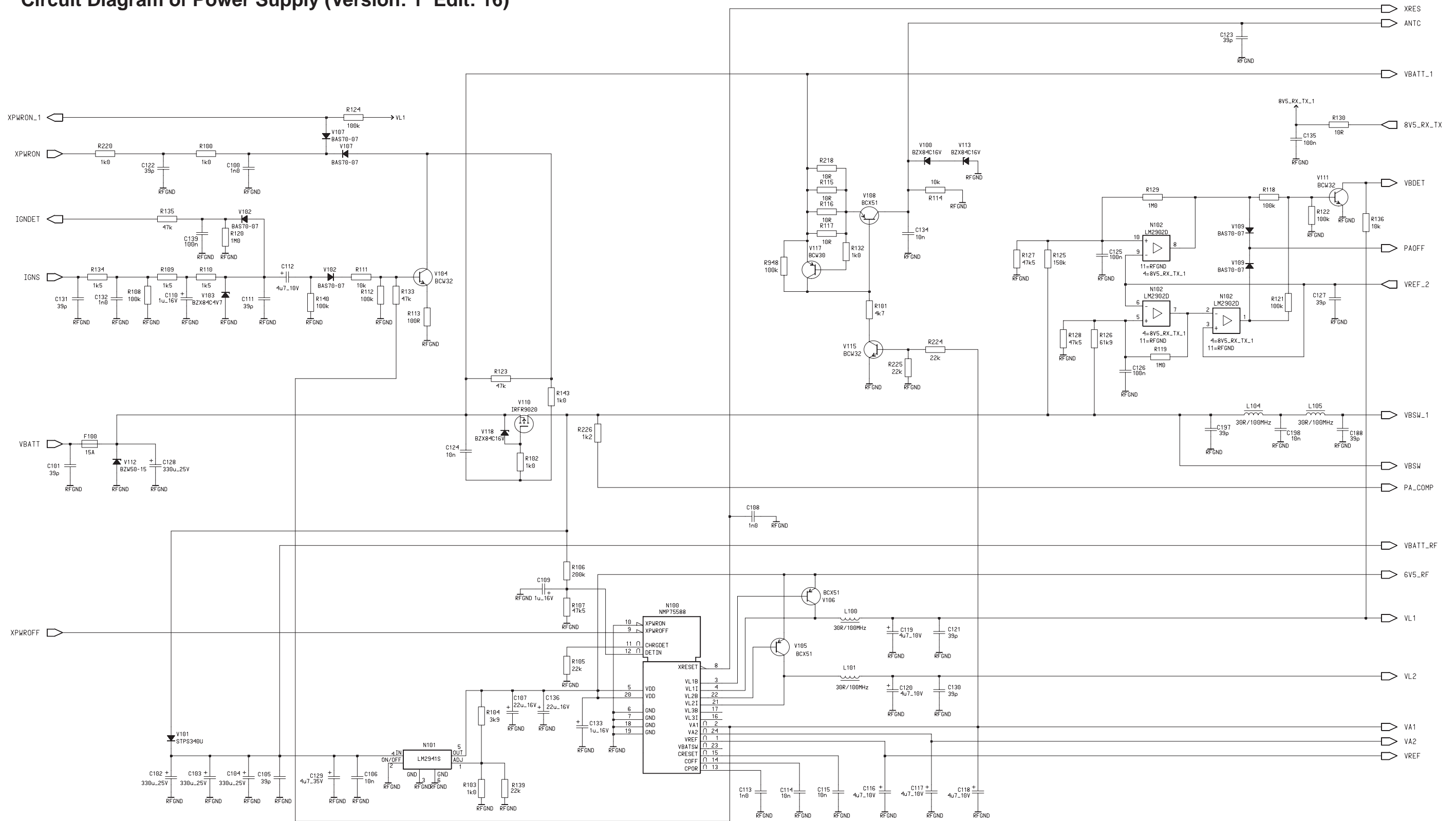


Circuit Diagram of Power Supply (Version: 1 Edit: 16)



- V114 C100 - 136
- V116 N100 - 102
- V115 V100 - 118
- L100 - 101
- F100